

## Psychology B51 Perception & Cognition

Course Instructor: Igor Juricevic  
Office: S- 512  
Office Hour: Tues 6-7pm  
e-mail: [psyb51@hotmail.com](mailto:psyb51@hotmail.com)

TA: Shereif Hammad  
e-mail: [hammad@sandacre.com](mailto:hammad@sandacre.com)

### PSYCHOLOGY B51 – Perception & Cognition

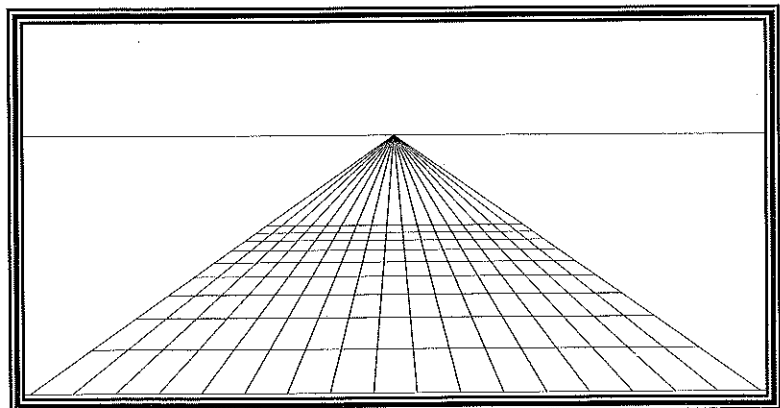
Theory and research on perception and cognition, including visual, auditory and tactile perception, representation, and communication.

### MORE SPECIFICALLY...

This course is an introduction into the field of perception and cognition. Its goal is to introduce topics in perception and cognition and give you a broad base of understanding of the area. Both classical and contemporary research will be discussed, along with theoretical discussions on matters relating to: philosophy of perception, neuropsychology, spatial perception, colour perception & qualia, Gestalt and Ecological approaches, auditory localization and recognition, haptics, perspective pictures, drawing and the blind, etc.

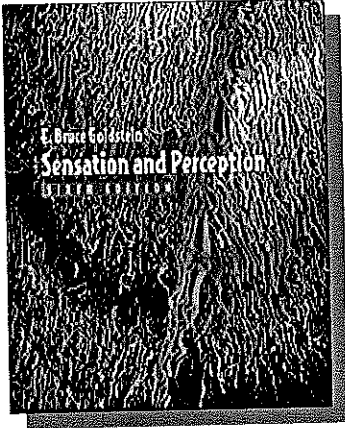
### INSTRUCTOR, OFFICE, AND OFFICE HOURS

I am an experimental psychologist with special interests in perception. My Ph.D. research concerns spatial perception and perspective geometry. My office is in S-512, and I will be there the hour before class (Tuesdays, 6-7pm). The e-mail address for the course is: [psyb51@hotmail.com](mailto:psyb51@hotmail.com).





## Psychology B51 Perception & Cognition



### TEXT

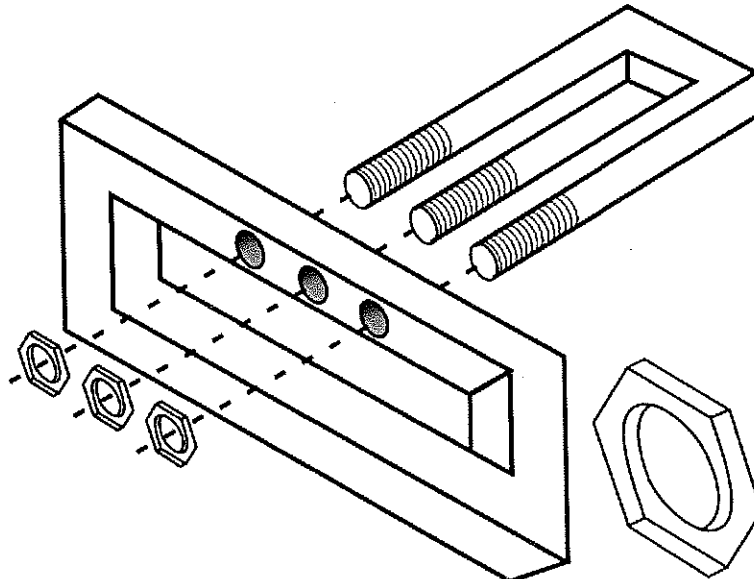
There is one text required: Goldstein, E.B (2002)  
**Sensation and Perception (6th ed)**. Pacific Grove,  
CA: Wadsworth-Thomson Learning.

### INSTRUCTIONAL PROCEDURE

Information is presented both in the classroom and through the text. Lecture notes will be available on the UTSCweb PSYB51 course page before each class. During classroom meetings I will lecture on important material to be learned. Not all aspects of the text will be covered. Rather, lectures will focus on particularly interesting areas, difficult material, or on topics of special interest. You are encouraged to ask questions and to interrupt the lecture for points of information, clarification, etc.

### GRADES

There are 2 midterms and 1 final exam, consisting of "multiple-choice" and "short-answer" questions. The first midterm is worth 20% of your final mark. The second midterm (non-cumulative) is worth 30% of your final mark. The final exam (cumulative) is worth 50% of your final mark.





# Psychology B51

## Perception & Cognition

### DATES, READING ASSIGNMENTS, & TOPICS

Sept 13	Syllabus <i>Chapter 1</i> Special Topic	<i>Introduction to perception</i> The Problem of Perception & the Induction Problem
Sept 20	<i>Chapter 2</i> <i>Chapter 3</i>	<i>Receptors and Neural Processing</i> <i>The Lateral Geniculate Nucleus and Striate Cortex</i>
Sept 27	<i>Chapter 4</i>	<i>Higher-Level Visual Processing</i>
Oct 4	<b><u>MIDTERM 1 (20%)</u></b> Covers Chapters 1-4 & Lectures <i>Chapter 6</i> Special Topic	<i>Perceiving Color</i> The Question of Qualia
Oct 11	<i>Chapter 5</i>	<i>Perceiving Objects</i>
Oct 18	<i>Chapter 7</i> Special Topic	<i>Perceiving Depth and Size</i> The Perception of Perspective Pictures
Oct 25	<i>Chapter 8</i> <i>Chapter 9</i>	<i>Perceiving Movement</i> <i>Perception and Action</i>
Nov 1	<i>Chapter 10</i> <i>Chapter 11</i>	<i>Sound, the Auditory System, and Pitch Perception</i> <i>Auditory Localization, Sound Quality, and the Auditory Scene</i>
Nov 8	<b><u>MIDTERM 2 (30%)</u></b> Covers Chapters 5-7 & Lectures (Oct 4th-Nov 1st) <i>Chapter 12</i>	<i>Speech Perception</i>
Nov 15	<i>Chapter 13</i> <i>Chapter 14</i>	<i>The Cutaneous Senses</i> <i>The Chemical Senses</i>
Nov 22	<i>Chapter 15</i>	<i>Perceptual Development</i>
Nov 29	<i>Chapter 16</i> Special Topic	<i>Clinical Aspects of Vision and Hearing</i> Drawing and the Blind
Dec 10-21	<b><u>FINAL EXAM (50%)</u></b> Cumulative. Emphasis (70%) on Chapters 12-16 & Lectures (Nov 8th- Nov 29th).	